

ORIGINAL MINI ACCESSORIES. INSTALLATION INSTRUCTIONS.



Roof Rail Retrofit

MINI 5-door (F55)

MINI 3-door (F56)

Part numbers of individual parts

51 13 7 331 935	Left roof rail (only for F55 cars)
51 13 7 331 936	Right roof rail (only for F55 cars)
51 13 7 331 931	Left roof rail (only for F56 cars)
51 13 7 331 932	Right roof rail (only for F56 cars)
51 13 7 351 502	Balancing element
51 13 7 336 867	Roof rail base
07 14 7 265 827	Blind rivet
83 30 2 289 807	Socket (drill guide)

Installation time

The installation time is **approx. 4 hours**. This may vary depending on the condition of the car and the equipment in it.

Important information

These installation instructions are primarily designed for use within the MINI dealership organisation and by authorised MINI service companies.

In any event the target group for these installation instructions is specialist personnel trained on MINI cars with the appropriate specialist knowledge.

All work must be completed using the latest MINI repair manuals, wiring diagrams, servicing manuals and work instructions, in a rational order, using the prescribed tools (special tools) and observing current health and safety regulations.

If you experience installation or function problems, restrict troubleshooting to approx. 0.5 hours for mechanical work and 1.0 hour for electrical work.



To avoid unnecessary extra work and/or costs, send an inquiry straight away to the technical parts support team via the Aftersales Assistance Portal (ASAP).

Quote the following information:

- Vehicle identification number,
- Retrofit kit part number,
- A detailed description of the problem,
- Any work already carried out.

Do not archive the hard copy of these installation instructions since daily updates are provided via ASAP!

Pictograms

-  Denotes instructions that draw your attention to dangers.
-  Denotes instructions that draw your attention to special features.
- ◀ Denotes the end of the instruction or other text.

Installation information

All pictures show LHD cars; proceed accordingly on RHD cars.

The installation steps are shown only on the left-hand side of the car, proceed in the same way on the right-hand side of the car.

Ordering instructions

The individual parts of the roof rail retrofit are not available as a retrofit kit. The parts required for retrofitting must be ordered individually (for part numbers and instructions, see EPC).

List of special equipment

The following special equipment must be taken into consideration when installing:

SA 402 Electric panoramic roof

Special tools required

Socket (drill guide) 83 30 2 289 807

6.8 mm spiral drill bit

14 mm conical drill bit

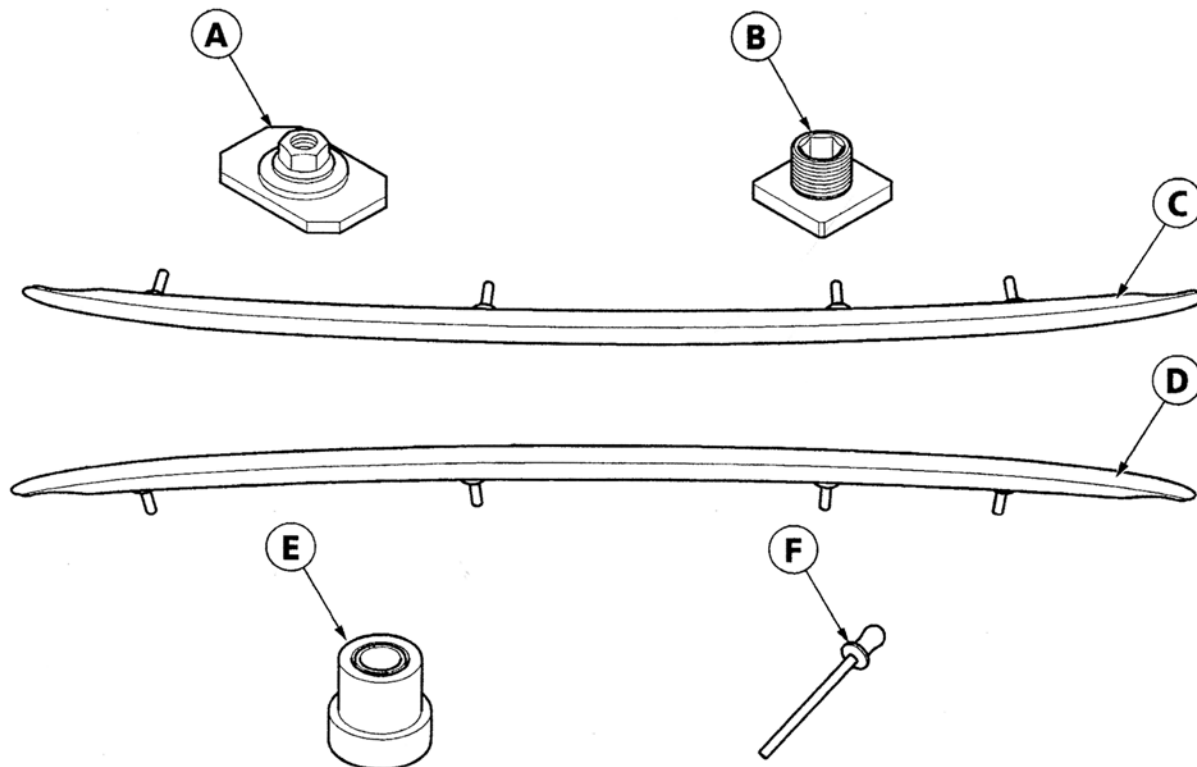
60° - 16 mm countersink

More information on the special tools required can be found in the relevant ISTA repair manual.

1. Table of contents

Section	Page
1. Table of contents	3
2. Parts list	4
3. Preparatory work	5
4. Carry out the drilling operations	6
5. Installing the roof rail	10
6. Concluding work and coding	17

2. Parts list



F56 0137 Z

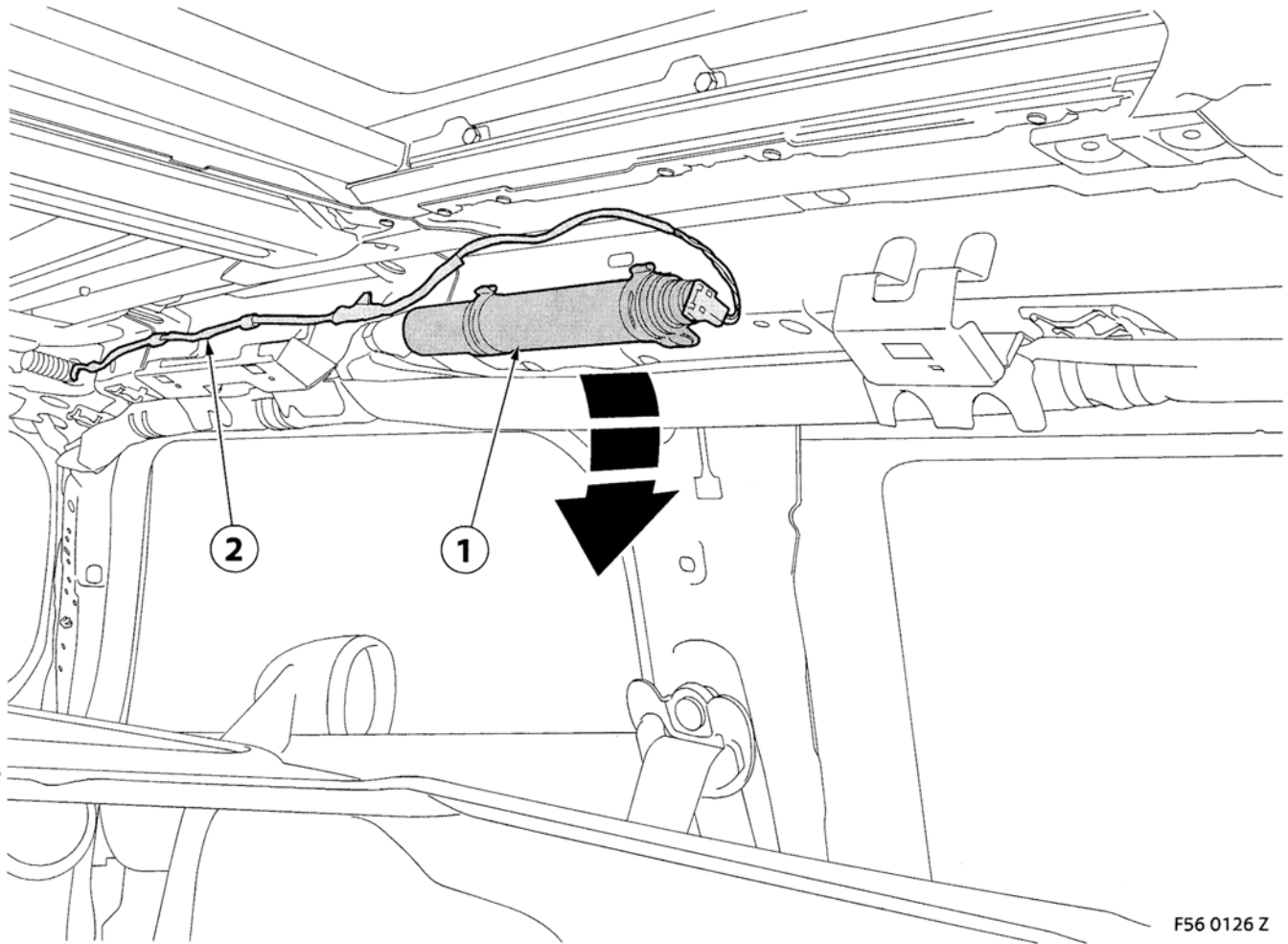
Legend


- A Roof rail base (8 x)
- B Balancing element (8 x)
- C Left roof rail
- D Right roof rail
- E Drill guide
- F Blind rivet (4 x)

3. Preparatory work

	ISTA No.
Disconnect and connect the negative battery cable	61 20 900
The following components must be removed first of all	
Roof lining (only lower it)	51 44 011
Release the left and right head airbag (gas generator) and place to one side	72 12 060
Only cars with SA 402	
Release the panoramic roof at the rear area	54 10 085

4. Carry out the drilling operations

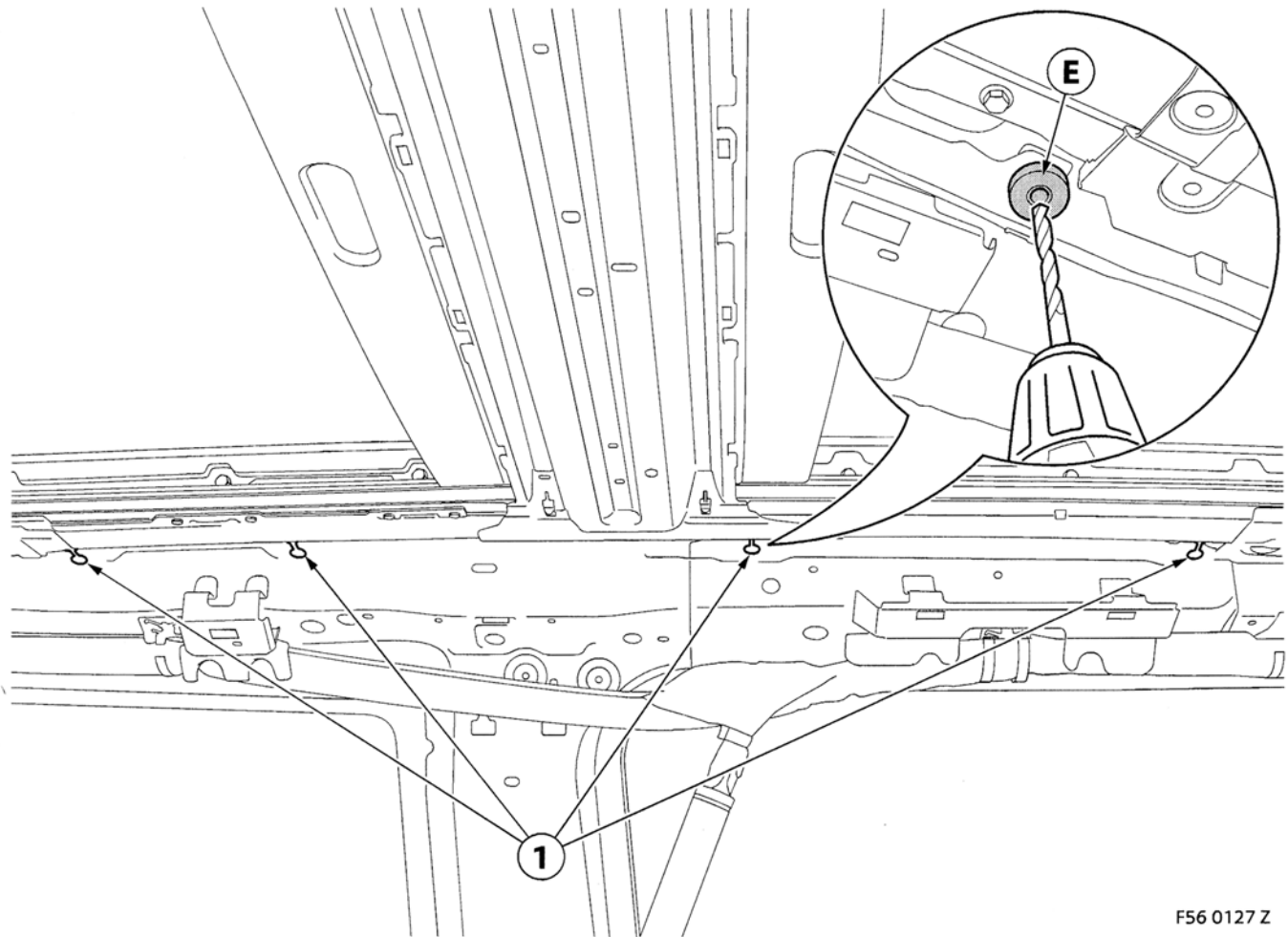


 To ensure that the head airbag is not damaged by the drilling, it must first be removed.


Remove the head airbag's gas generator (1) as per **ISTA 72 12 060** and place it to one side.


Unclip the cabling (2) of the head airbag and place it to one side.

4. Carry out the drilling operations



F56 0127 Z

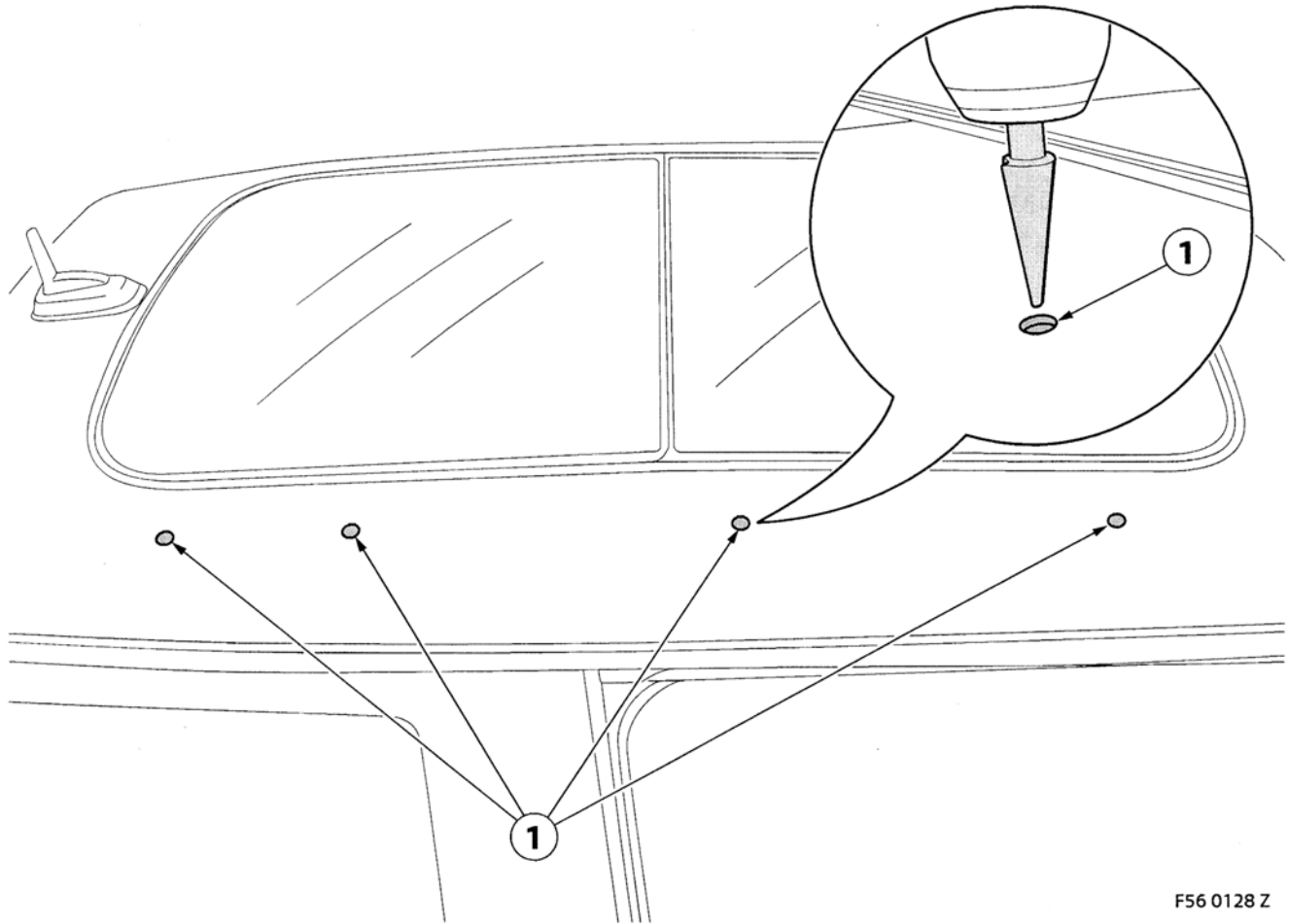
 To avoid damaging the outer skin of the roof, drilling should be performed with extreme care and the least possible pressure. ◀

 Catch any debris that forms during the drilling process immediately. ◀


Insert drill guide **E** into the cut-outs (1) in the basic structure.

Using a spiral drill bit of diameter **6.8 mm**, carefully drill through drill guide **E**.

4. Carry out the drilling operations



F56 0128 Z

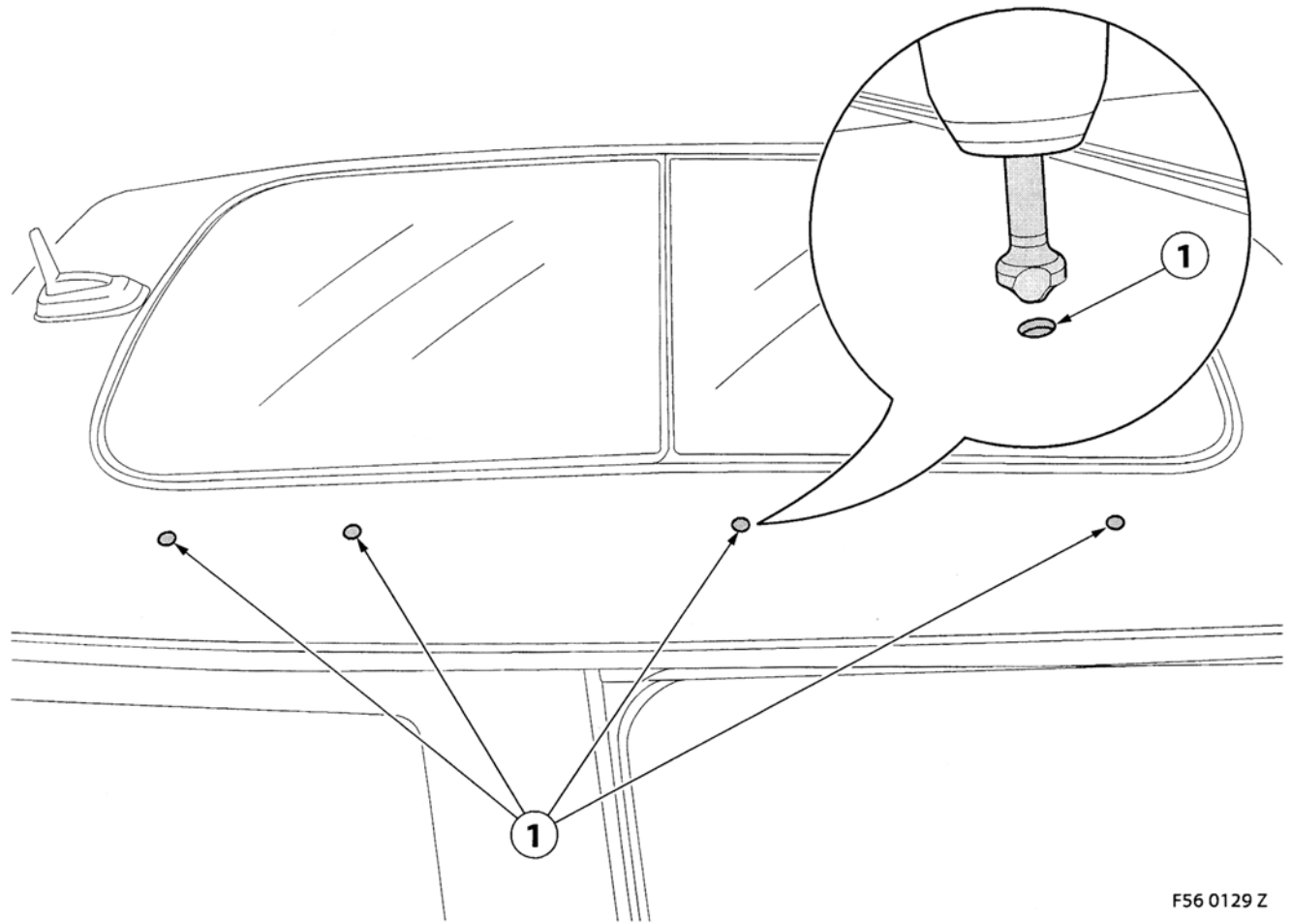
 To avoid damaging the outer skin of the roof, drilling should be performed with extreme care and the least possible pressure.

Drill the holes step by step using a countersink. Measure the drill hole with a suitable measuring tool inbetween drilling steps. The diameter of **13.8 mm** must not be exceeded. ◀


 Catch any debris that forms during the drilling process immediately. ◀

Complete the holes (1) gradually with a countersink to a **diameter of 13.8 mm**.

4. Carry out the drilling operations



F56 0129 Z

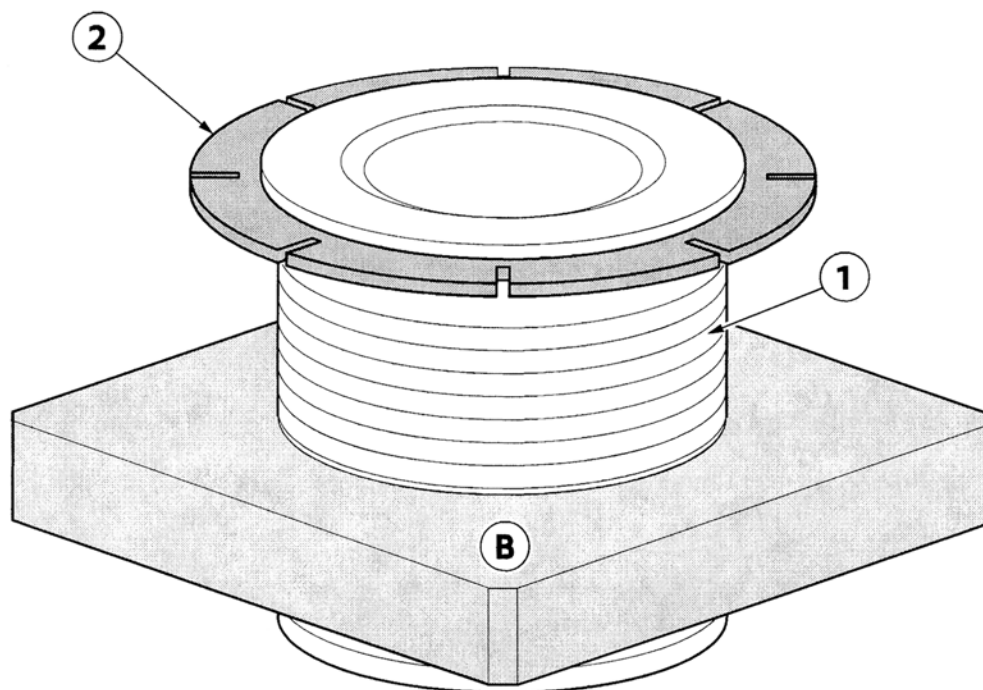
 To avoid damaging the outer skin of the roof, countersinking should be performed with extreme care and the least possible pressure. ◀

 Catch any debris that forms during the drilling process immediately. ◀

Countersink the drill holes (1) inside and outside using a **60° - 16 mm** diameter countersink.

Coat all drill holes with preservative.

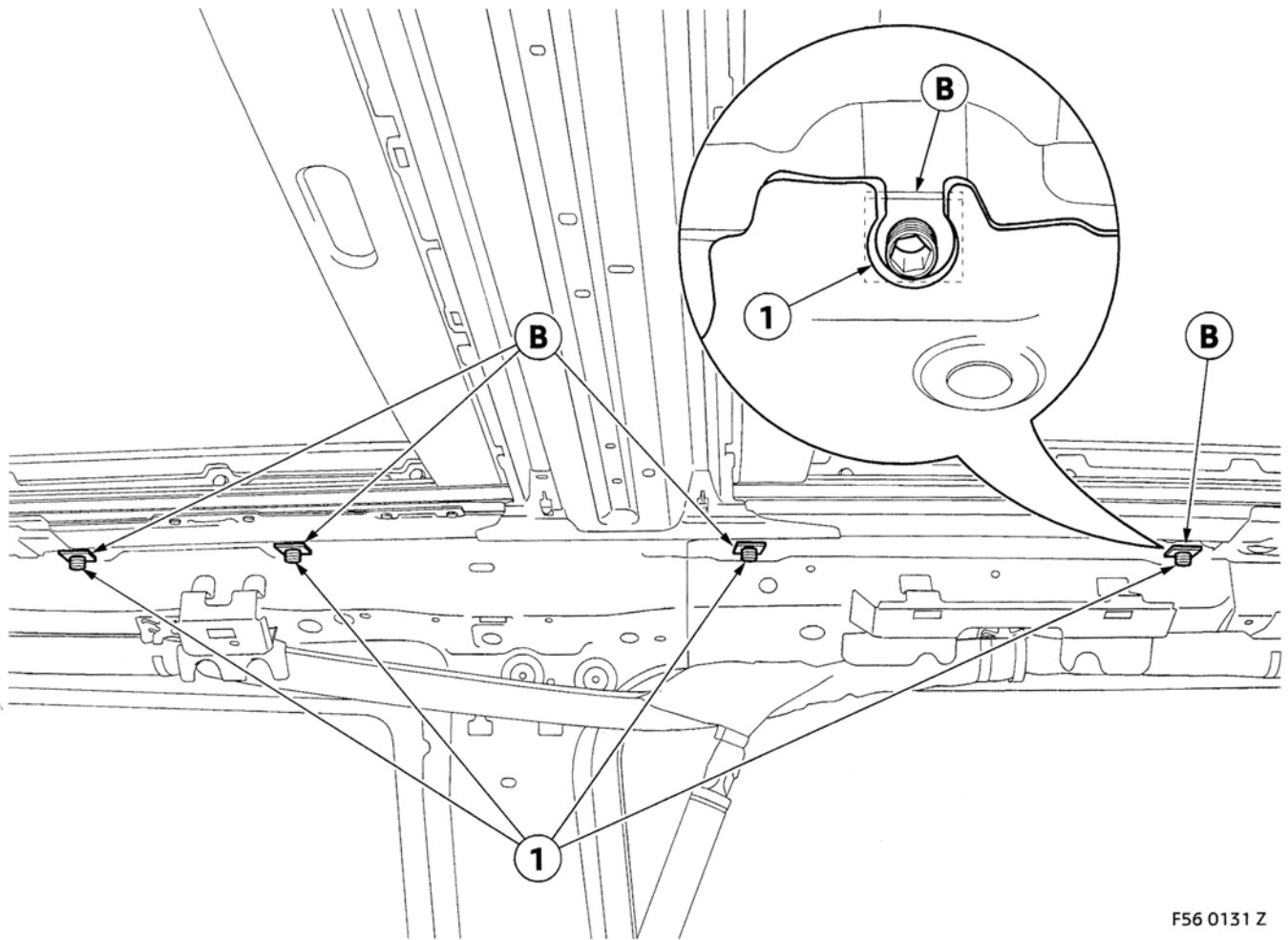
5. Installing the roof rail




F56 0130 Z

Before inserting balancing element **B**, ensure that the adjusting screw (1) is completely unscrewed, as shown. Ensure that the plastic ring (2) is correctly positioned.

5. Installing the roof rail

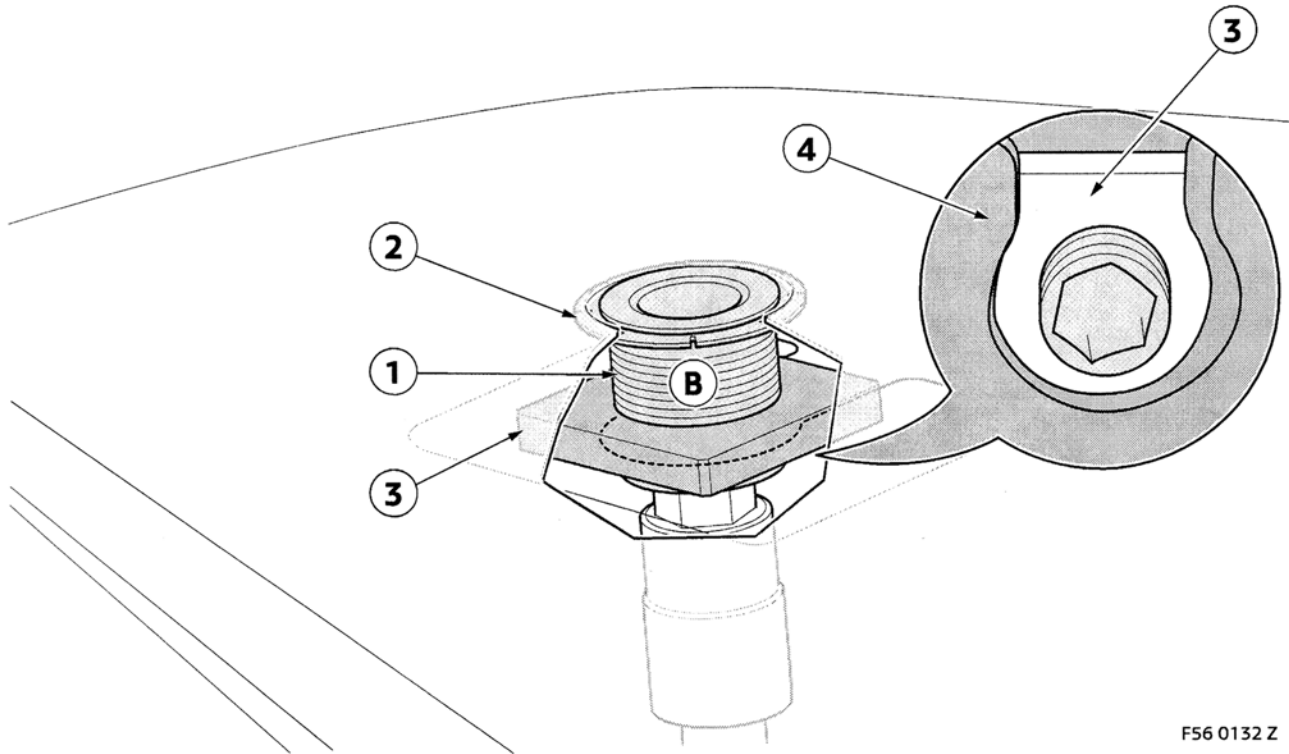


F56 0131 Z

 **Only cars with sliding roof**
In order to be able to use balancing elements **B** in the rear section, lower the sliding roof box in the rear area. ◀

Insert balancing element **B** into the cut-out (1) in the basic structure.

5. Installing the roof rail

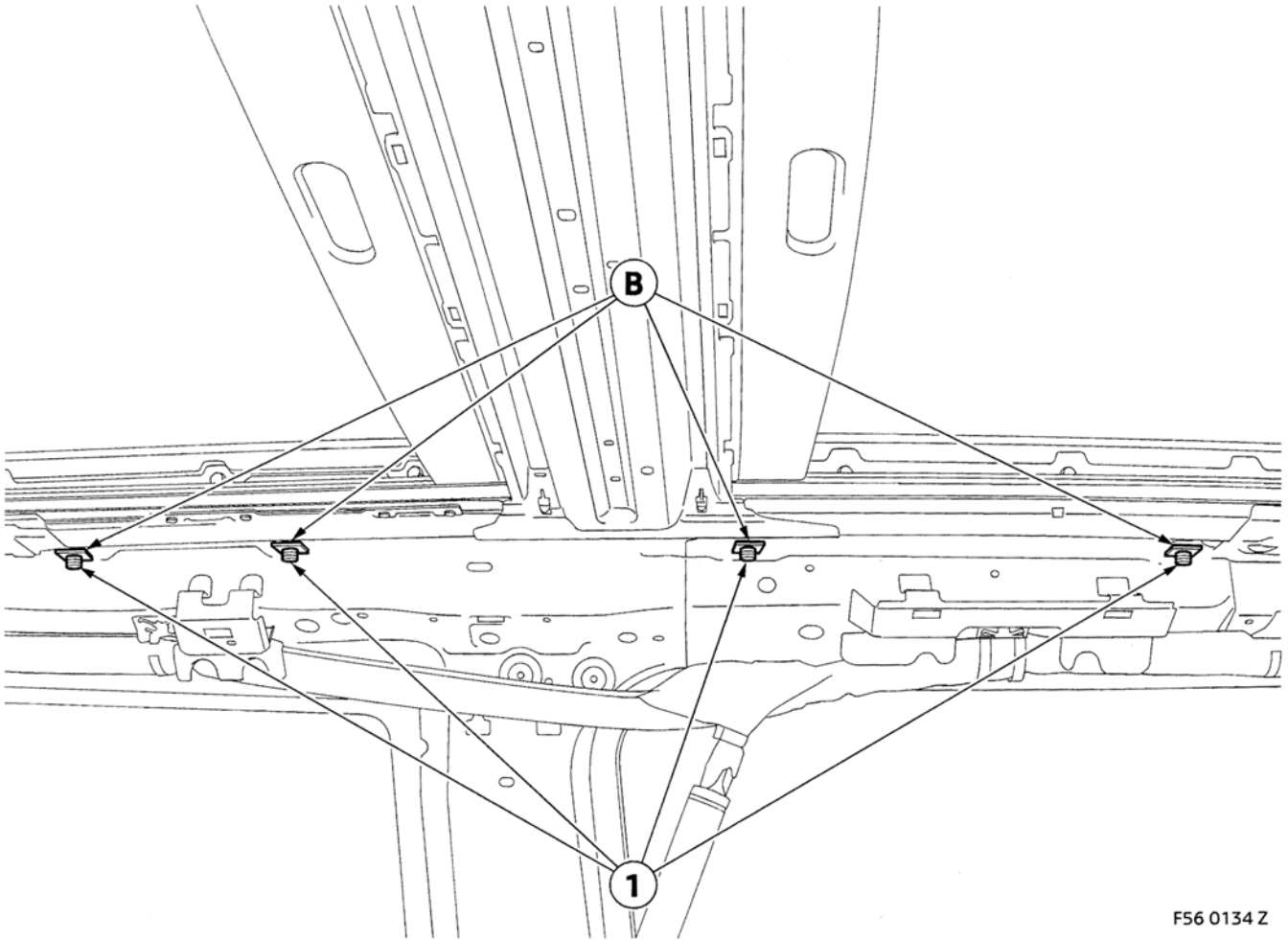


F56 0132 Z

 Tighten the adjusting screw (1) on balancing element **B** until it just finger-tight. ◀

Unscrew the adjusting screw (1) on balancing element **B** until the plastic ring (2) rests lightly on the outer skin of the roof and the slot unit (3) is positioned on the basic structure (4).

5. Installing the roof rail

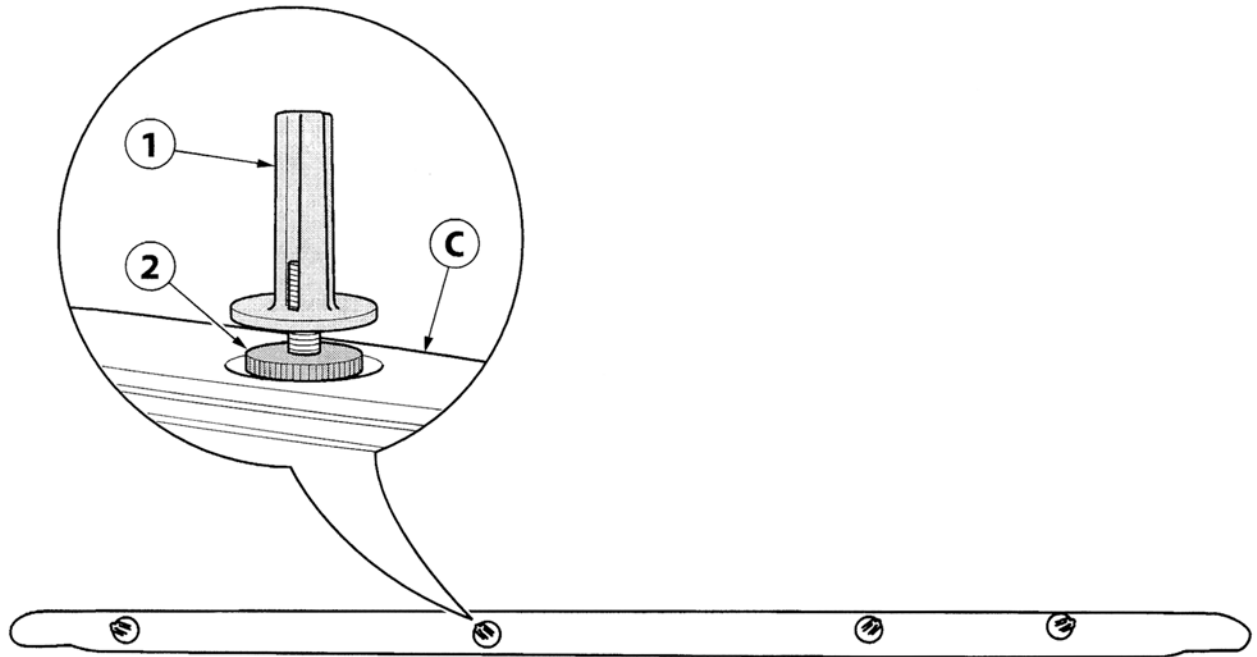


F56 0134 Z

⚠ Note the maximum torque of balancing element **B** of **0.2 Nm**! Tightening balancing element **B** too much can damage the outer skin of the roof. ⚡

Tighten the adjusting screws (1) on balancing elements **B** to the required torque.

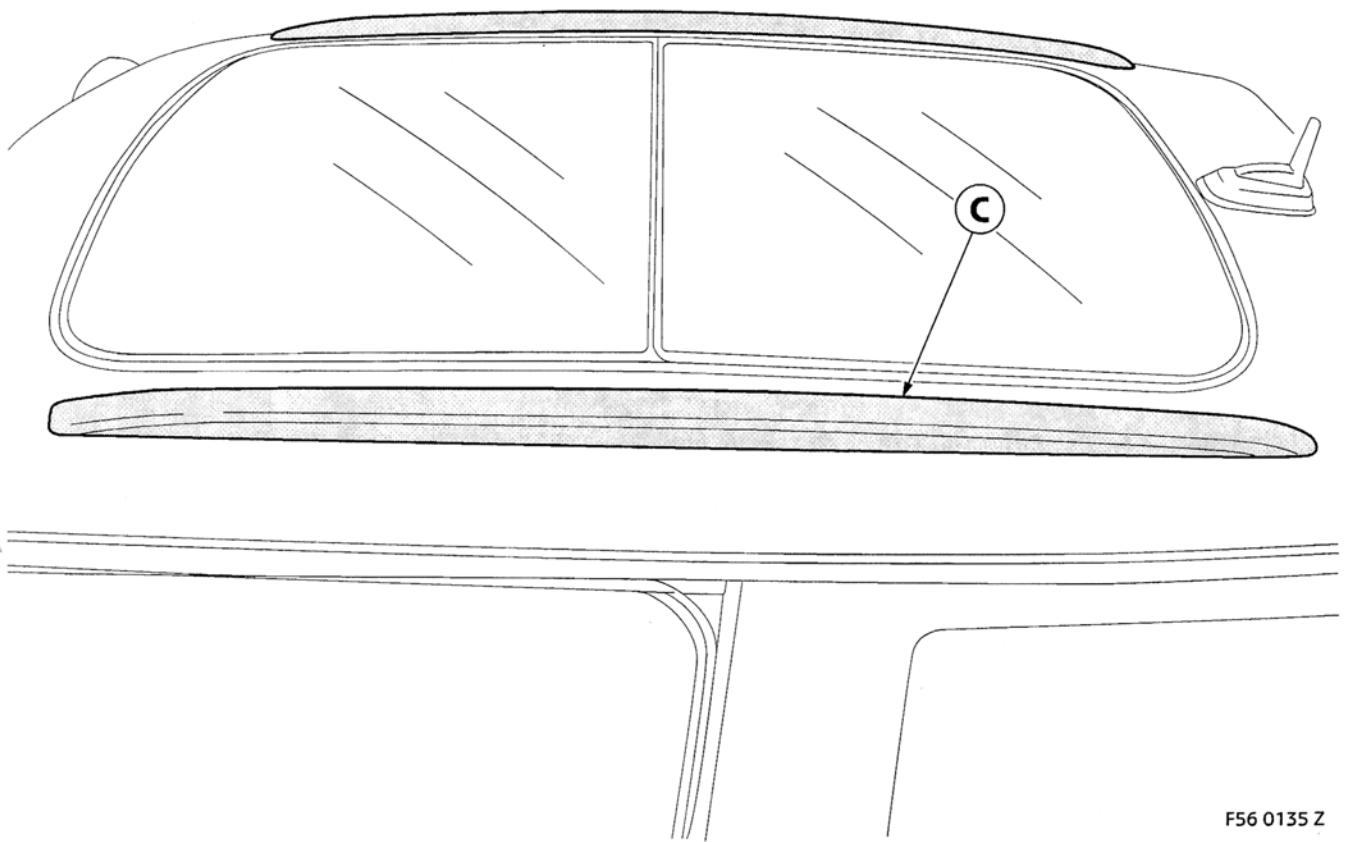
5. Installing the roof rail




F56 0133 Z

Remove the protective caps (1) on the stud bolts of roof rail **C** (these are no longer required).
Ensure that the plastic rings (2) are correctly positioned.

5. Installing the roof rail

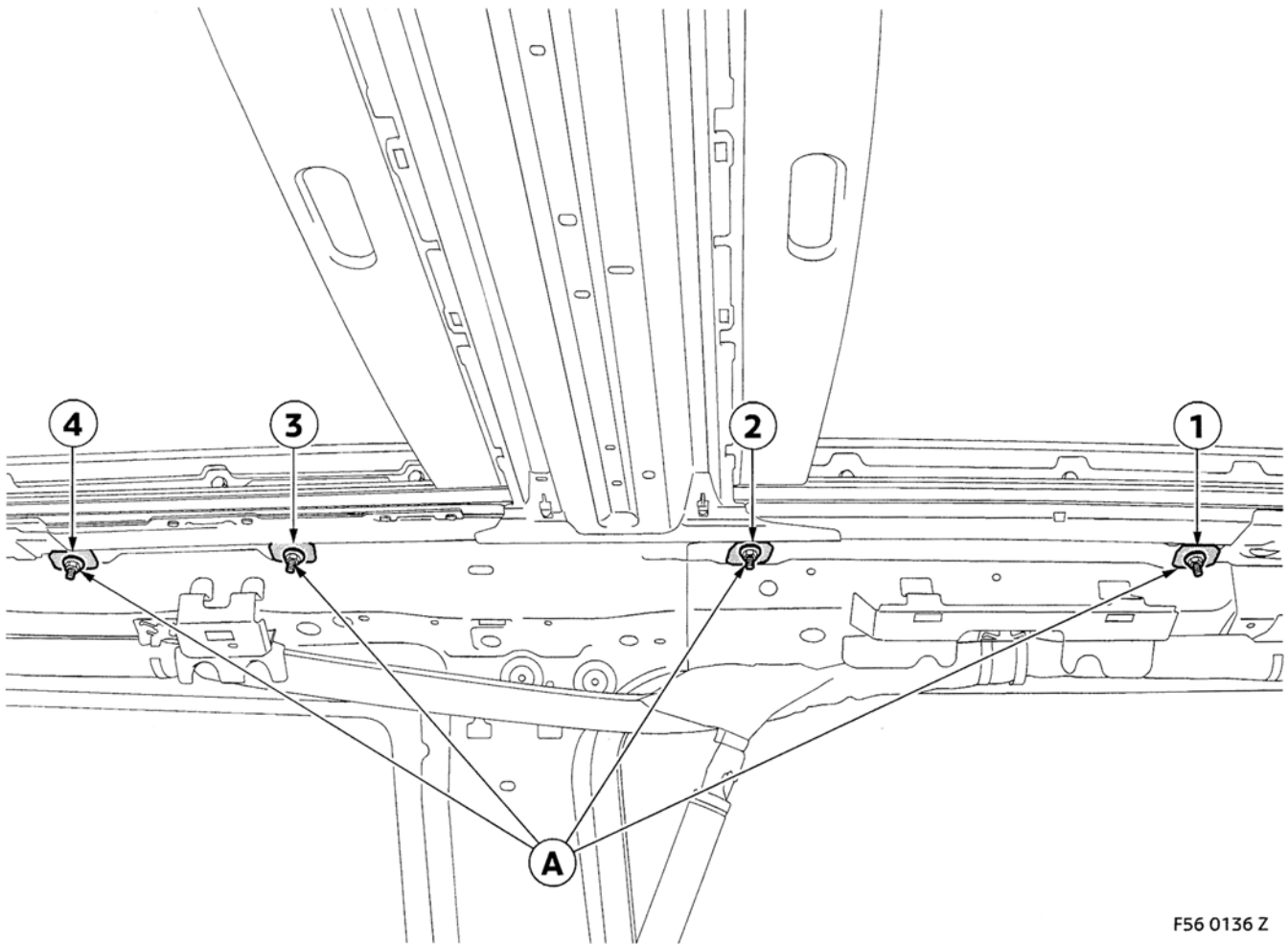


F56 0135 Z


 Before putting on the roof rail, clean the resting surfaces. ◀

Carefully place roof rail **C** on the outer skin of the roof.

5. Installing the roof rail



F56 0136 Z

 Note the maximum torque of roof rail bases **A** of **8 Nm**! Tightening roof rail bases **A** too much can damage the outer skin of the roof.

Note the tightening sequence! ◀

Screw roof rail bases **A** onto the roof's stud bolts and tighten them to the required torque in the following sequence **1-4-3-2**.

6. Concluding work and coding

The retrofit system does not require programming / coding.

- Install the gas generators for the head airbags using blind rivets **F** as per **ISTA 72 22 222**
- Re-assemble the car in a logical manner