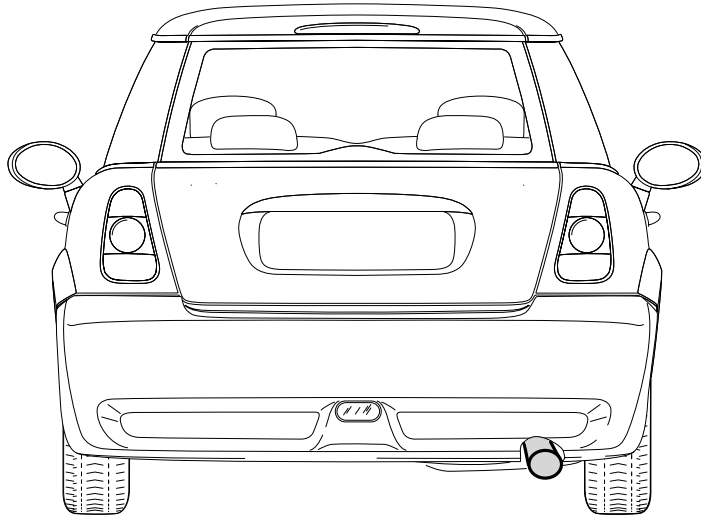




Parts and Accessories Installation Instructions



050 0219 B

Mini Accessory Tailpipe Trim Installation Kit Mini (R50/R53)

Specialist knowledge required.

The installation time is approx. 0.4 hours but this may vary depending on the condition of the car and the equipment in it.

Retrofit kit No. 65 75 0 141 759
 65 75 0 143 376

Contents

Section	Page
1. Important information	3
2. Preparations	3
3. Parts list	4
4. To install the accessory tailpipe trim R50	5
5. To install the accessory tailpipe trim R53	5

1. Important information

Only for use in the dealer organisation.

Take care not to damage the rear apron when shortening the exhaust tailpipe.

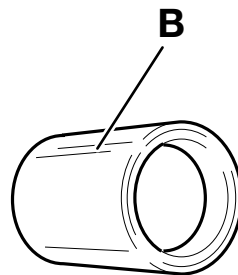
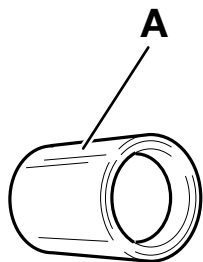
Item numbers refer only to the overview drawings and to the texts next to the appropriate figure.

Subject to technical modifications

2. Vorarbeiten

Only Mini one (R50)	TIS instruction No.
Undo the rear silencer at its rear suspension points and lower it	---
Only Mini Cooper (R53)	TIS instruction No.
Remove the standard tailpipe trim (no longer required)	---

3. Parts list



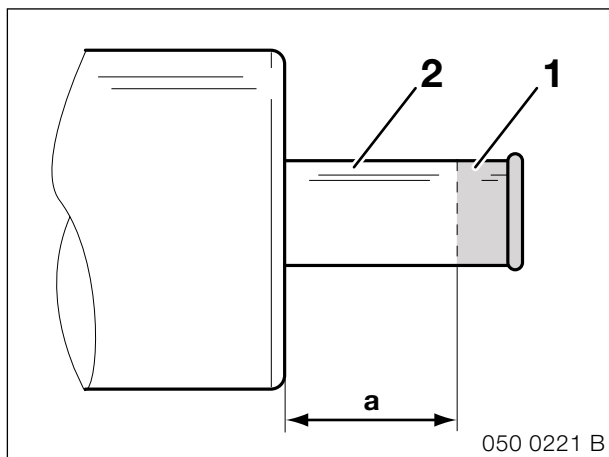
050 0220 B


Legend

A Accessory tailpipe trim R50

B Accessory tailpipe trim R53

4. To install the accessory tailpipe trim R50

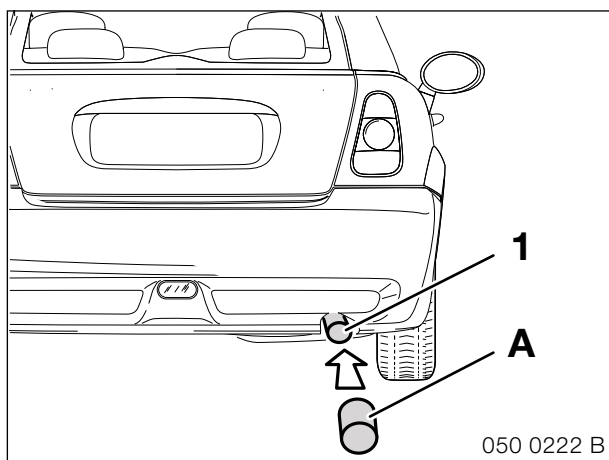


 The figure shows the rear silencer with tailpipe. ◀


Use the necessary tools (*) to separate the area marked in grey (1) from the rear silencer (2) and deburr the end.

(* Hacksaw, file set)

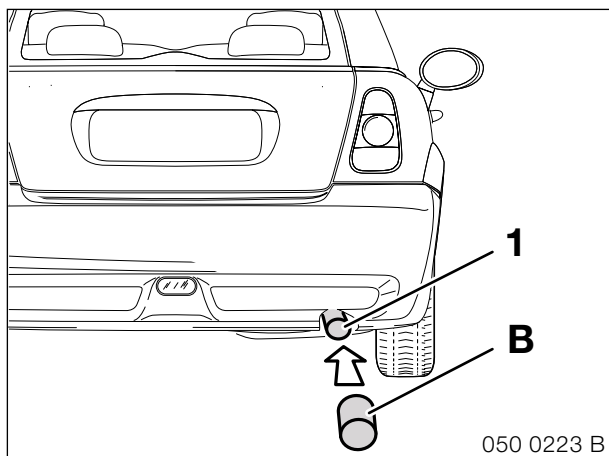
Dimension **a** = 60 mm




Connect the accessory tailpipe trim **A** onto the shortened tailpipe (2).

 Make sure the accessory tailpipe trim is firmly seated. ◀

5. To install the accessory tailpipe trim R53



Connect the accessory tailpipe trim **B** onto the tailpipe (1).

 Make sure the accessory tailpipe trim is firmly seated. ◀